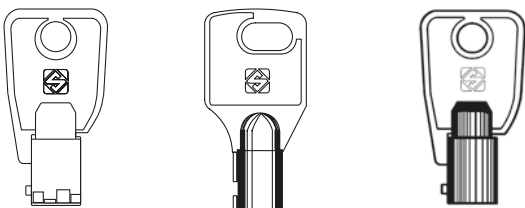
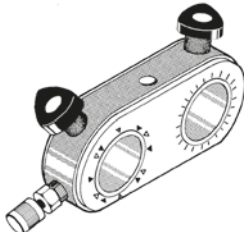




KEY TYPES	OPTIONAL	MODELS:
	 <p>Numerous optional tools available</p>	<p>Crown T10 Crown T15</p>

FEATURES IN COMPARISON	CROWN T10	CROWN T15
Clamp T10	•	Optional
Clamp T15		•
Interchangeable optional clamps	•	•
Self-centering clamp	•	•
Clamp for cutting keys all-round (360°)	•	•
Preset angled positions	6 pos. every 60° - 8 pos. every 60°	6 pos. every 60° - 8 pos. every 45°
Diameter of tubular keys that can be installed	from ø 9,2 to ø 10,2	from ø 6 to ø 12,5
Standard cutter diameter	ø 5,95	ø 2,5 - ø 5,95
Selector for angled position	•	•
Block for angled rotation	•	•
Weight	kg 15,5	kg 15,5



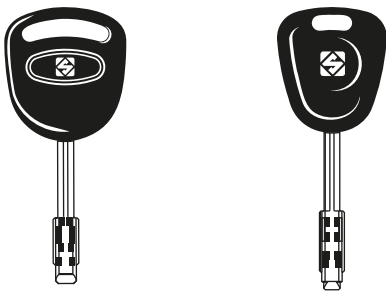
DELTA 2000 FO

FOR SPECIAL KEYS

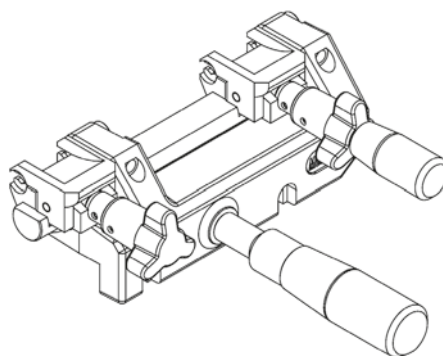


- Compact, versatile, easy to use
- Adjustable tracer point
- Single speed cutter motor
- Interchangeable carriage
- Cutter made of HSS (High Speed Steel)
- Brush ø 55x15mm
- Weight kg 14
- Duplicates Tibbe Ford® and Jaguar® type keys

KEY TYPES



OPTIONAL



“Multicopy” carriage for copying Ford® (FO19P - FO20P), Abus® (AB32 - AB38P), Abloy® and Ava®-Chubb® type keys



Carriage for duplication by code



HSS cutter

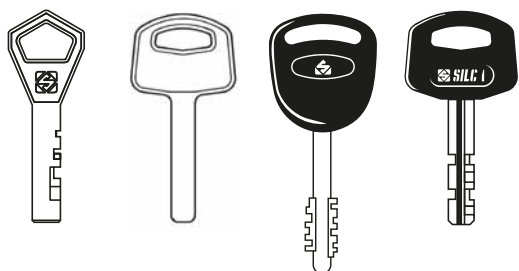
DELTA 2000 MC

FOR SPECIAL KEYS

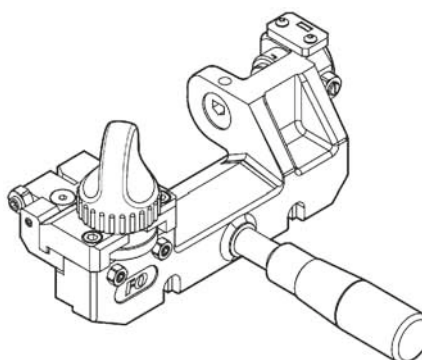


- Compact, versatile, easy to use
- Adjustable tracer point
- Single speed cutter motor
- Interchangeable carriage
- Cutter made of HSS (High Speed Steel)
- Brush \varnothing 55x15mm
- Weight kg 14
- Duplicates Ford®, Abus®, Abloy® and Ava®-Chubb®

KEY TYPES



OPTIONAL



“FO” carriage for duplicating by code Ford® Tibbe® (FO21P) and Jaguar® Tibbe® (TBE1P - TBE2P) type keys



Carriage for copy by original



Tracer point



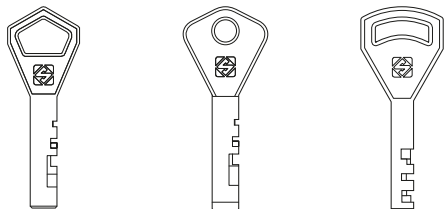
REKORD AY

FOR SPECIAL KEYS



- Burnished metal clamps
- Tracer point with micrometric adjustment
- Cutter made of HSS (High Speed Steel)
- Electromagnetic safety switch
- Automatic tightening of the belt
- Protective shield
- LED lighting
- Copy by code
- Brush \varnothing 51x15mm
- Weight kg 14

KEY TYPES



Brush



Carriage for duplication by code



Micrometric tracer point

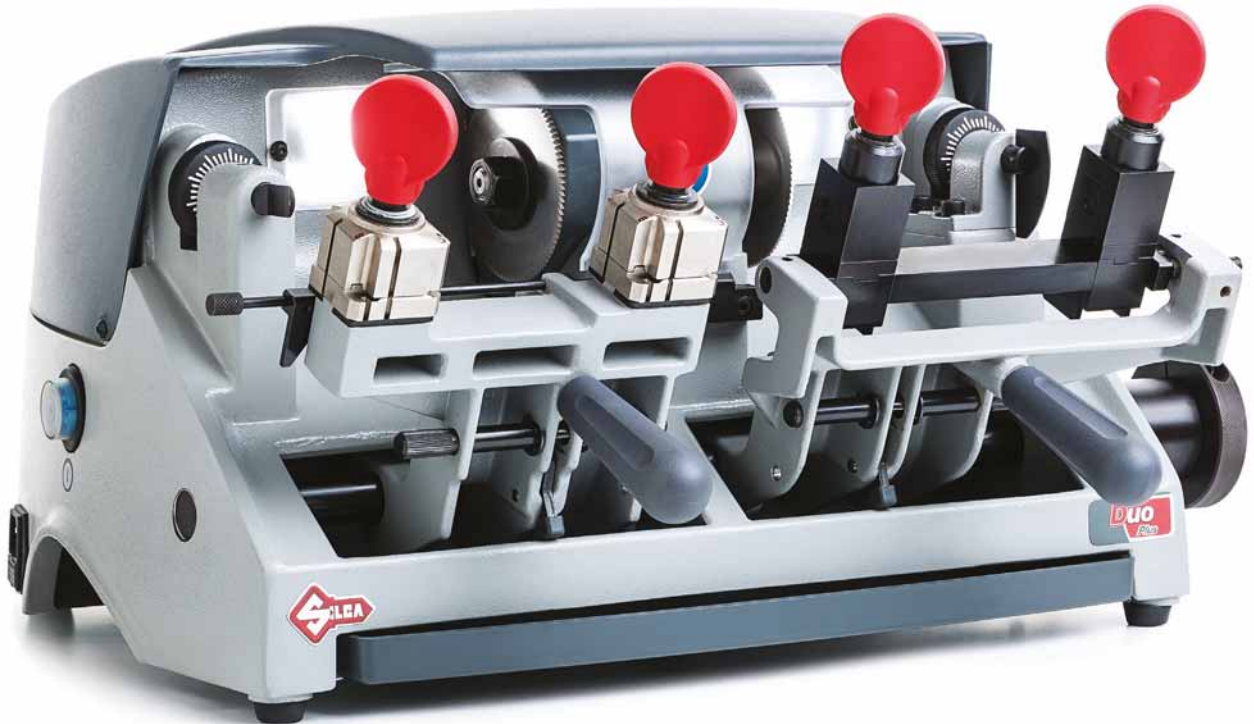
REKORD AY

FOR SPECIAL KEYS





DUO COMBINED

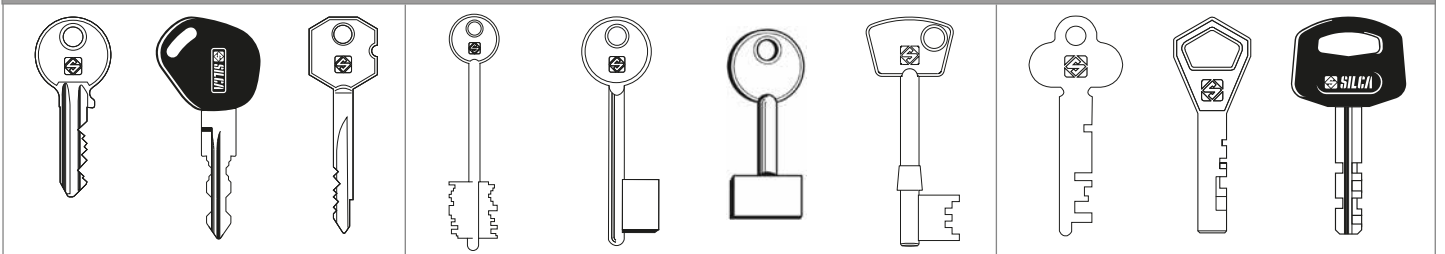


- Double cutting station
- Long-lasting components
- Illumination
- Carriage release system
- Ergonomic handles

MODELS:

Duo, Duo Plus, Duo Sofer, Duo Power

KEY TYPES



Revolving 4-sided clamps



Revolving 3-sided clamps

FEATURES IN COMPARISON	DUO	DUO PLUS	DUO POWER
Rotating, sintered, 4-sided clamps with nickel plating	●	●	●
Spring loaded tracer point	-	-	-
Single speed cutter motor	●	●	●
Tracer point with micrometric adjustment	●	●	●
Prismatic cutter made of HSS (High Speed Steel)	●	●	●
HSS cutter - thickness 1,25 mm	●	●	●
Electromagnetic safety switch	●	●	●
Ergonomic handles	●	●	●
Long neck pump key duplication	●	●	●
Short neck key duplication			●
Bit and double bit key duplication	●	●	●
Square-stemmed pump key duplication			●
Abloy® key clamping		●	
Chubb® key clamping		●	
Mail box key clamping	●	●	
Abus® Granit key clamping		●	
Tool holder	●	●	●
Brush ø 80x16mm	●	●	●
Lamp	●	●	●
Swarf tray	●	●	●
Weight	kg 23	kg 23	kg 23



Prismatic cutter made of HSS



Swarf tray